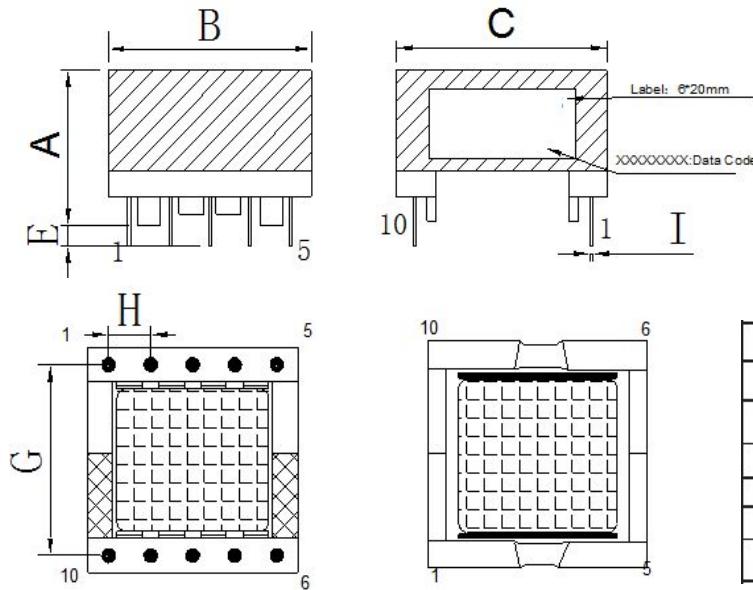


CUSTOMER TERMINAL	ROHS	Lead(Pb)-free
	YES	YES

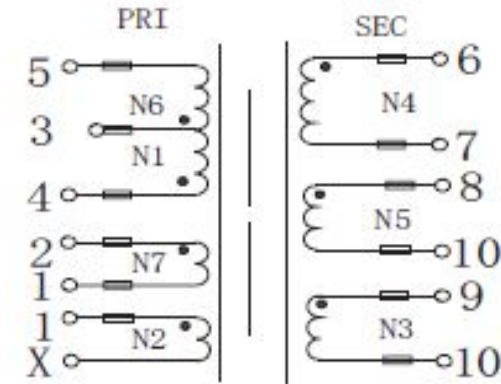


1.Mechanical Dimensions



A	21.5	MAX
B	27.3	MAX
C	27.0	MAX
E	3.0	±0.5
G	22.5	±0.4
H	5.0	±0.3
I	0.8	±0.1

2.Schematic Diagram



3.Material List

Core:FW44 EFD25/25/9
 Bobbin:FWB2506(5+5PIN)
 Wire:2UEW TIW
 Operating Temperature: -30 to115 °C

4.Electrical Specification

Inductance : L(4-5):450uH±5% 70KHZ , 1.0V
 Leakage Inductance : 18uH MAX 70KHZ , 1.0V
 DCR : (4-5)=0.8Ω MAX (6-7)=112mΩ MAX
 Hi-Pot:P-S: AC 60Hz 4000V 1mA 3S
 P-CORE: AC 60Hz 500V 1mA 3S

REV.	DATE	 Convention Placement	DRW.	Drawing Title: TRANSFORMER	Part No: FWPTefd25H451J
0	00/00		CHK.		
			APP.		
ROHS		www.ferriwo.com	Customer P/N	Specification Sheet 1of 1	